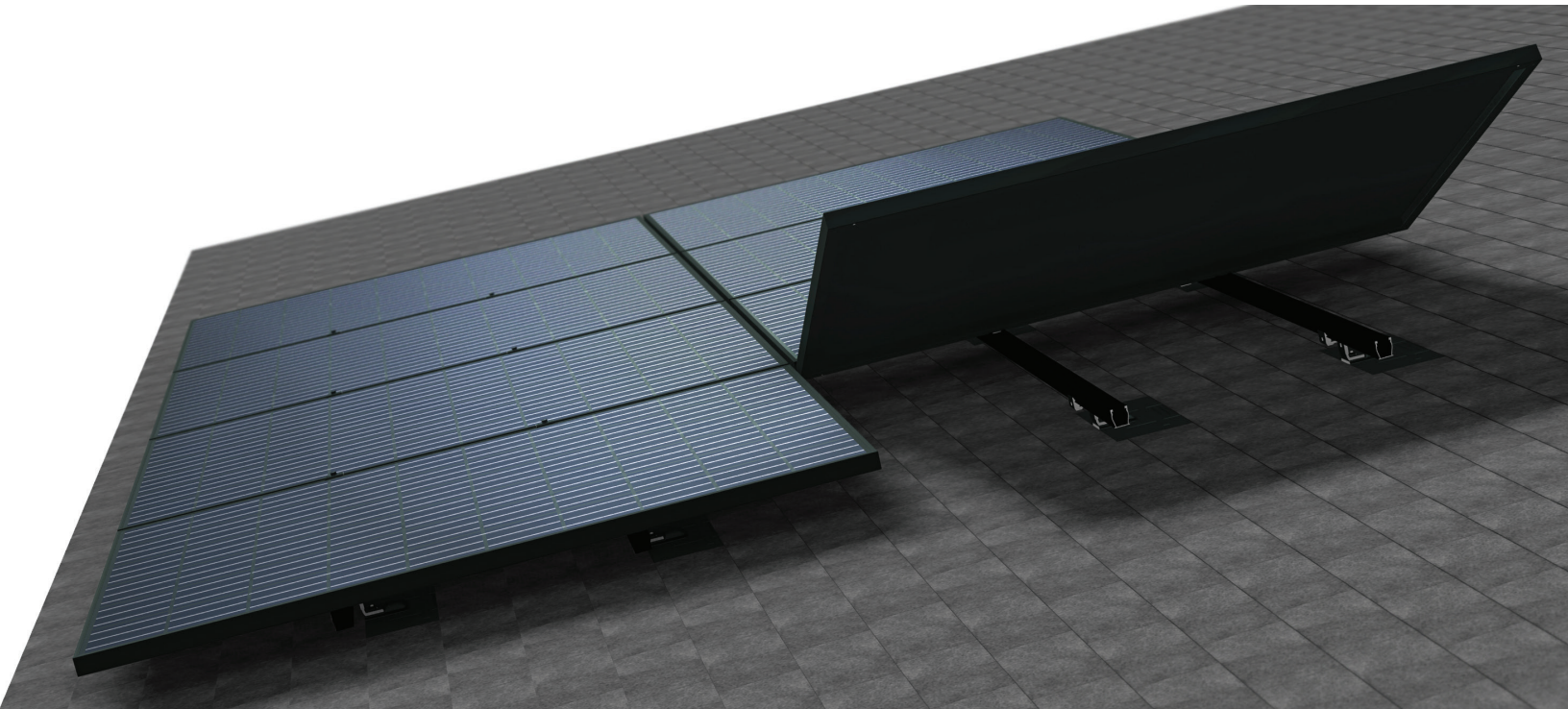


Ultra Rail



The Ultimate Value in Rooftop Solar



Industry leading Wire Management Solutions



Mounts available for all roof types



An install experience unlike any other



Compatible with all Series 100 Module Clamps & Accessories

Start Installing Ultra Rail Today

RESOURCES

snapnrack.com/resources

DESIGN

snapnrack.com/configurator

WHERE TO BUY

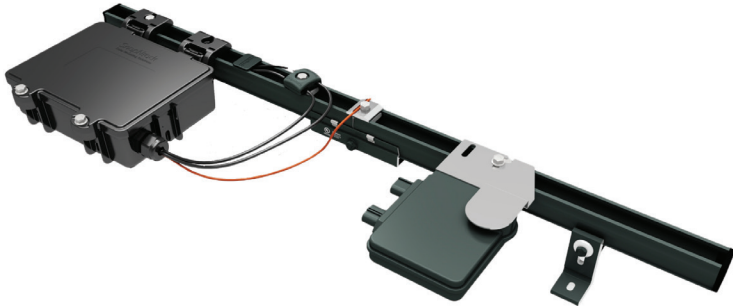
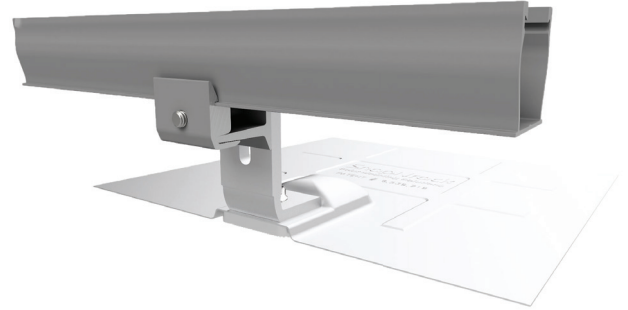
snapnrack.com/where-to-buy

The SnapNrack Ultra Rail

is a sleek, lightweight rail solution for mounting solar modules on the roof.

The Entire System is a Snap to Install

- New Ultra Rail Mounts include snap-in brackets for attaching rail
- Compatible with all the SnapNrack Mid Clamps and End Clamps customers love
- Universal End Clamps and snap-in End Caps provide a clean look to the array edge



Unparalleled Wire Management

- Open rail channel provides room for running wires resulting in a long-lasting quality install
- Industry best wire management offering includes Junction Boxes, Universal Wire Clamps, MLPE Attachment Kits, and Conduit Clamps
- System is fully bonded and listed to UL 2703 Standard

The Largest Span Capabilities of any Light Rail Solution

This table was prepared in compliance with applicable engineering codes and standards. Values are based on the following:

- ASCE 7-10
- Chapter 30 Wind Loads & Chapter 7 Snow Loads
- Roof Slope: 7 - 27 deg
- Roof Height: 0 - 30 ft
- Exposure: B
- Roof Zone: 1
- Module Orientation: Portrait
- Roof Type: Comp

Visit SnapNrack.com for detailed span tables and certifications.

| System Span Key | |
|-----------------|--|
| 6 ft Spans | |
| 4 ft Spans | |
| 2 ft Spans | |

| Ultra Rail, UR-40 Rail System Spans | | | | | | | | | | | | | | | | |
|-------------------------------------|------------|-----|-----|-----|-----|-----|-----|-----|-----|-----|-----|-----|-----|-----|-----|-----|
| Snow (psf) | Wind (mph) | | | | | | | | | | | | | | | |
| | 110 | 115 | 120 | 125 | 130 | 135 | 140 | 145 | 150 | 155 | 160 | 165 | 170 | 175 | 180 | 190 |
| 0 | | | | | | | | | | | | | | | | |
| 5 | | | | | | | | | | | | | | | | |
| 10 | | | | | | | | | | | | | | | | |
| 15 | | | | | | | | | | | | | | | | |
| 20 | | | | | | | | | | | | | | | | |
| 25 | | | | | | | | | | | | | | | | |
| 30 | | | | | | | | | | | | | | | | |
| 35 | | | | | | | | | | | | | | | | |
| 40 | | | | | | | | | | | | | | | | |
| 45 | | | | | | | | | | | | | | | | |
| 50 | | | | | | | | | | | | | | | | |
| 60 | | | | | | | | | | | | | | | | |
| 70 | | | | | | | | | | | | | | | | |
| 80 | | | | | | | | | | | | | | | | |
| 90 | | | | | | | | | | | | | | | | |
| 100 | | | | | | | | | | | | | | | | |
| 110 | | | | | | | | | | | | | | | | |
| 120 | | | | | | | | | | | | | | | | |

Quality. Innovative. Superior.

SnapNrack Solar Mounting Solutions are engineered to optimize material use and labor resources and improve overall installation quality and safety.

877-732-2860

www.snapnrack.com

contact@snapnrack.com

© 2017 by SnapNrack Solar Mounting Solutions. All rights reserved